

Stainless steel Mini ball valves



MXT-161063FFSS



MXT-161063FMSS

Stainless steel mini ball valves with one-sided toggle grips

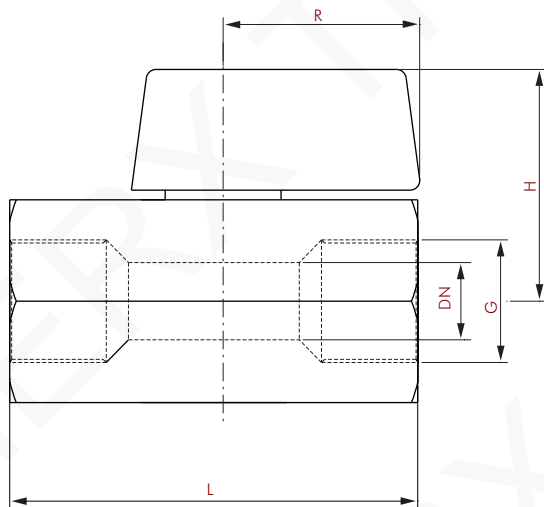
PN 63

Materials : Housing: 1.4408, ball: 1.4408, handle screw: 1.4301, seal: Teflon/Viton, handle: zinc diecasting
Temperature range : -20°C to max. +200°C
Operating range : Water, oil, compressed air, fuels, solvents, aggressive media

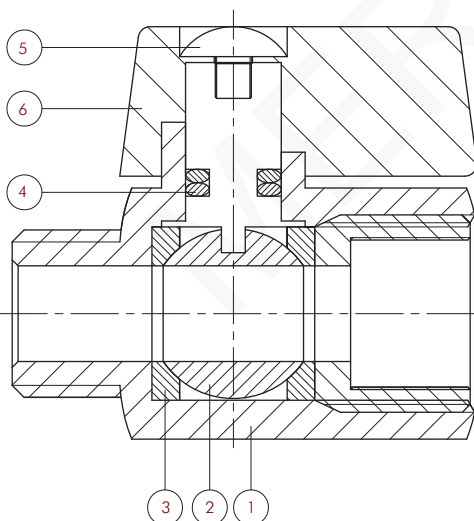
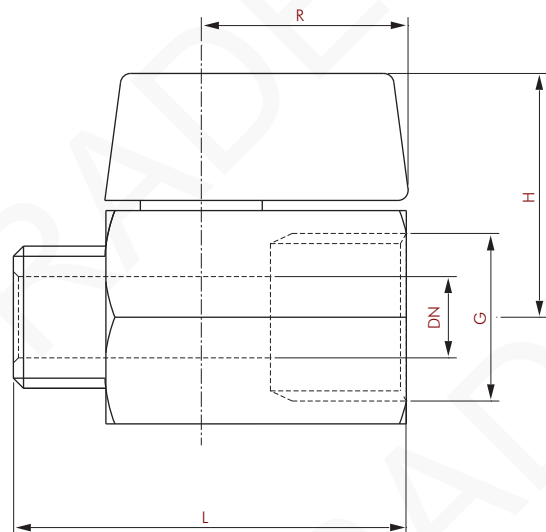
Type	Typ	L	G	DN	H	R
Female thread	Female/male thread					
MXT-161063FFSS06	MXT-161063FMSS06	39	G 1/8"	6	27	22
MXT-161063FFSS08	MXT-161063FMSS08	39	G 1/4"	8	27	22
MXT-161063FFSS10	MXT-161063FMSS10	39	G 3/8"	10	27	22
MXT-161063FFSS15	MXT-161063FMSS15	50	G 1/2"	15	28	22

Dimensions and partlist

Type MXT-161063FFSS



Type MXT-161063FMSS



1	Housing	1.4408
2	Ball	1.4408
3	Seal	Teflon
4	O-Ring	Viton
7	Handle screw	1.4301
8	Handle	zinc diecasting